

## LKV Overload Guard



The LKV Crane Overload Guard is designed for easy installation without disturbing the crane, particularly on overhead traveling cranes, container handling equipment and haulages where operators may not know when they have an overload condition.

### GIGAsense

Gigasense products within Force Measurement and Crane Safety are well known high quality products, built from many years' experience and used by leading heavy duty industry around the world.

Gigasense products meet the highest demands of performance level requirements.

We are represented by many selected local partners in more than 30 countries on six continents.

# LKV Overload Guard

## Range of application

The LKV is intended for use as an overload guard or a slack rope switch in lifting equipment and is made in a range for forces up to 16000 kg in a single rope part and for max. 44 mm line diameter.

## Function

The LKV is attached to a stationary rope part. The rope is deflected by a small angle between the two wheels and the clamping jaw. When loaded, the rope tends to straighten. This applies force to the clamping jaw and to the pull rod. When the set switch value is reached, the pull rod operates a micro switch and a close/open circuit is made.

The spring element of the load cell is preloaded, reducing pull rod movement to the last 25% of full load. For the best possible accuracy the LKV is equipped with case-hardened wheels with carefully designed rope grooves. To ensure correct fitting on the rope diameter, the wheels and the clamping jaws are provided with rope tracks at intervals of 4 mm. The wheels should not be regarded as wheels but rather as moving support points, as the peripheral movement on the wheels at full line load is only about 0.6 mm, including the extension of the rope.

## Protection against corrosion

The LKV is fully pressure tight. Each instrument is tested under pressure. The LKV fully conforms to the international protection specification class IP 67 according to IEC 60529. Externally it is Zinc coated and yellow chromated. The wheel bearings are sealed with O-rings and lubricated with grease. If the LKV is to be used in a very corrosive environment, it may be polyester-lacquered.

## Safety

The overload guard is not directly included in the rope system and does not affect the construction of the lifting equipment. The locking device prevents unauthorized interference with the switch setting. In spite of the changes that normally take place on the rope diameter, the LKV maintains its set switch value even after fitting to a new rope. As the LKV is fully pressure tight, it is well protected against dust, dirt, damp, frost and other atmospheric conditions.

The power-absorbing element consists of specially made Belleville washers dimensioned to resist fatigue. The spring washers cannot be overloaded.

The LKV can be overloaded by 100% without affecting the repeatability.

## Installation

Install the LKV directly to the static rope part close to the anchor point or close to a compensating pulley. The rope needs not be unloaded. Set the switch value with the spanner provided for this purpose.

The LKV is usually delivered with the switch value set. Check the switch value with a buzzer or similar device. Connect the LKV electrically, e.g. to the control circuit of the hoisting movement or the top limit switch. Test-load for control and possible readjustment. Seal the set value with the locking clamp and the padlock provided.



## Technical Data

### MEASUREMENTS

See drawing and table.

### REPEATABILITY

±1.5 of the max. capacity.

### MAX. CONTACT LOAD

250 VAC, 500 VA, 3A.

### MECHANICAL LIFE LENGTH

#### OF THE MICROSWITCH

20 mill. cycles.

### WORKING TEMPERATURES

Continuous operation up to +60°C.

Specially designed PIAB LKV:s can be supplied for up to +200°C.

The cable is a 4m weather- and oil resistant cable RDO 4x1.5mm<sup>2</sup>.

### WIRING DIAGRAM

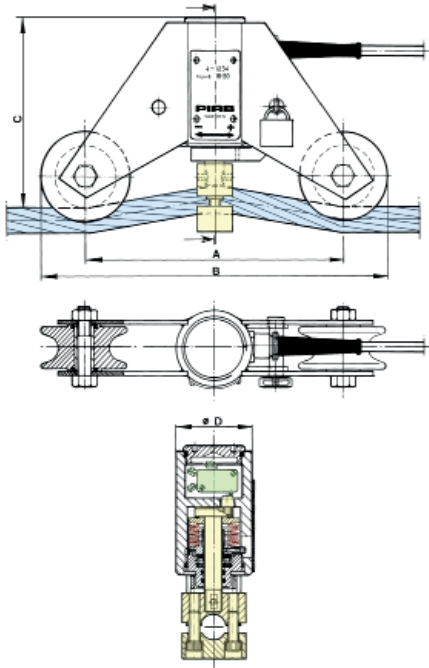
Also inscribed on the badgeplate.



### Contact function

The microswitch has alternative contact functions. When the LKV is used as an overload guard, the normally closed function should always be used. The microswitch has self-cleaning, gold-plated silver contacts, also suitable for operation on low current/voltage (under 10V and/or 60mA).

The difference between contact at rising and falling load is 5-8%. This hysteresis is somewhat reduced at lower loads and increases slightly at higher load values. To avoid "chatter" of the contacts and contactors if the load should start to sway, a time relay can be connected to prolong the reconnection of the hoisting movement.



TYPE	MAX. SWITCH VALUE IN KG	FOR ROPE DIMENSION $\varnothing$ IN MM	DEAD WEIGHT IN KG	A	B	C	D
LKV-1	1000	5-8	5	200	268	142	60
LKV-2	2000	8-12					
LKV-4	4000	12-16					
LKV-8	8000	16-20	12	300	403	208	86
LKV-12	12000	20-24					
LKV-16	16000	24-28					
		28-32					
LKV-16	16000	32-36	22	480	600	215	135
		36-40					
		40-44					

LKV used as a slack line switch.

TYPE	MAX. SWITCH VALUE IN KG	FOR ROPE DIMENSION $\varnothing$ IN MM	DEAD WEIGHT IN KG	A	B	C	D
LKV 01	15-800	as LKV-1 above					
LKV 08	30-3800	as LKV-8 above					

## Applications for the LKV

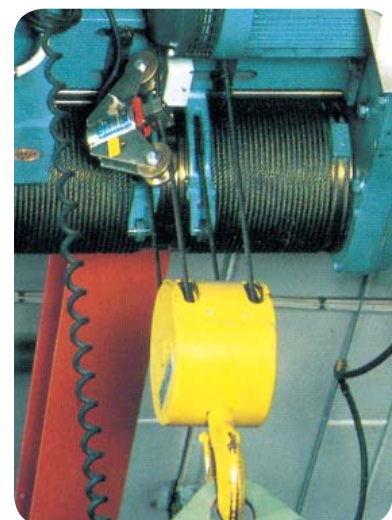
To determine the dimension of the LKV and set the right switch value, we need to know:

- Max. capacity of the crane
- Number of rope parts
- Rope diameter

The switch value is normally set at factory, but can be made on location. Instructions and tools are included in the delivery.

On tower cranes of different types, the LKV is sealed according to IP67 and functions very well outdoors, with constant reliability even in rough climate.

This image shows a typical installation of the LKV, installed at the anchor point of the hoist rope in a traveling crane. The LKV functions either as an overload guard or as a slack line switch.





# GIGAsense

QUALITY AND SERVICE TAKEN SERIOUSLY

GIGAsense AB • STATIONSVÄGEN 16 • SE-18450 ÅKERSBERGA • SWEDEN  
PHONE: +46 (0)8 540 839 00 • E-MAIL: INFO@GIGAsense.SE

[www.gigasense.se](http://www.gigasense.se)

