

## Sonos Sounder (DC)

A general purpose electronic sounder. Features the TimeSaver base where connections are made to the base during the initial wiring phase which results in faster and more reliable installation. The sounder head 'twists and clicks' into the base on commissioning, avoiding the wiring and connection problems associated with traditional sounders.

Deep base units have weatherproof protection to IP65 and can be used in all locations both indoors and outdoors.

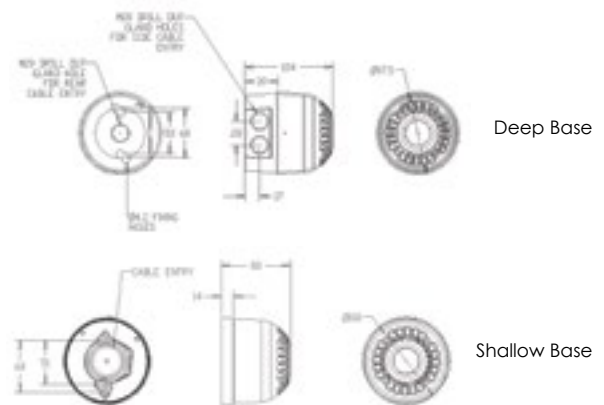
Sonos Sounder units are available in either red or white and with a choice of deep or shallow TimeSaver bases.

### Features

- Wide voltage range
- Simple 'First Fix' installation
- 2 alarm stages
- 32 tones
- Tone and volume can be preset or adjusted off-base
- Weatherproof to IP65 (deep base units)
- Synchronised alarm tones
- Volume control - Typical 8dB



### Applications - Fire; security; industrial alarm



Deep Base

Shallow Base

## Specifications

Combined Part No.	Base Part No.	Head Part No.	Colours	Audibility at 1m	Tones	Voltage	Current (tone dependent)
PSS-0003	PSO-0001 shallow base	PSS-0084	Red	Up to 106dB (A)	32	9-60V DC	4-41mA
PSS-0039	PSO-0006 shallow base	PSS-0089	White	Up to 106dB (A)	32	9-60V DC	4-41mA
PSS-0020	PSO-0003 deep base	PSS-0084	Red	Up to 106dB (A)	32	9-60V DC	4-41mA
PSS-0050	PSO-0007 deep base	PSS-0089	White	Up to 106dB (A)	32	9-60V DC	4-41mA

**IP Rating:** IP65 (deep base) IP21 (shallow base) **Operating Temp:** -25°C to +70°C **Construction:** Flame Retardant Polycarbonate

**Cable Entries:** Deep Base: 2 x 20mm cable glands **Weight:** 0.22kg (shallow base) 0.25kg (deep base)

**Compliance:** EN54 3 Type A (shallow base) EN54-3 Type B (deep base)