

Visual Signals - Explosion Proof GRP BEACON



Lens Guard not supplied as standard

Explosion Proof Beacon > GRP BC150 Series

Product overview

The BC150 range has been approved for use in potentially explosive atmospheres and very harsh environmental conditions.

Typical applications are Oil and Gas, On-shore and Offshore, Chemical, Petrochemical, Refineries & Marine locations etc.

These beacons have a choice of two types of light source: either Xenon (strobe) with multiple flash rate and power ratings or an LED array with three status type indication options and two power ratings. The design allows for termination inside the enclosure.

The units also have the ability to be fitted with a telephone initiation function and can be used as the second ring output indicator for telephones when installed in very noisy environments.

Features/Certifications

- Approved by ATEX, IECEx
- COST (Available on request only)
- ATEX: Ex d IIC T4~ T6 Gb, Ex tb IIIC T135°C~T85°C
- Zones 1, 2, 21 & 22
- Conforms to: EN 60079-0:2012 (IEC 60079-0:2011), EN-60079-1:2007 (IEC 60079-1:2007) EN 60079-31:2009 (IEC 60079-31:2008)
- 360° light output around the vertical axis
- Dustproof & Weatherproof

BC150 Series > Ordering Information

	Lens Colour	Beacon Type	Power (Xenon)	Power (LED)	Voltage	Duty Label	Tag Label	Lens Guard	Cable Entry	Finish Colour	Telephone Initiated
Standard Product Selection	A = Amber	X = Xenon	05 = 5J	05 = 5W	DC 12 - 48v	Y = Yes	Y = Yes	Y = Yes	A = M20	RD = Red	Y = Yes
	R = RED		10 = 10J	10 = 10W		N = No	N = No	N = No		YW = Yellow	N = No
	B = BLUE		15 = 15J	10 = 10W		N = No	N = No	N = No		BU = Blue	
	G = Green	L = LED	15 = 15J	10 = 10W	AC 100 - 240v	N = No	N = No	N = No	B = M25	BL = Black	N = No
	C = Clear		20 = 20J	10 = 10W		N = No	N = No	N = No		OR = Other	
	O = Other		20 = 20J	10 = 10W		N = No	N = No	N = No		OR = Other	

Follow the chart (right) to generate your part code.

MODEL CONFIGURATOR (By using the table above, complete this box sequence to select your required beacon).

BC150											
Lens Colour	Beacon Type	Power (Xenon)	Power (LED)	Voltage	Duty Label	Tag Label	Lens Guard	Cable Entry	Finish Colour	Telephone Initiated	

Note: All customers orders will be confirmed in writing. Care should be taken that the correct code has been ordered as be-spoke manufactured products cannot be returned for exchange or credit later.

Kg 3.8

°C -40+70

IP 66

INDUSTRIAL

MARINE

GRP

APPROVALS and CONFORMITIES



Explosion Proof Beacon > GRP

BC150 Series

General Information

EX CODE: Ex d IIC T4~ T6 Gb, Ex tb IIIC T135°C~T85°C
 CERTIFICATION: ATEX (Nemko 14 1011X), IECEx (NEM 14.0007X)
 CQST (Available on request only)
 TYPE: Xenon or LED Visual Beacon

Xenon Working Status		Xenon - Flashing			
Flash Rate		Selectable from 60-180 Flashes per Minute			
Power Rating	5 J (10W) Max	10 J (15W) Max	15 J (20W) Max	20 J (25W) Max	
Effective Candela	109	293	395	424	

LED Working Status		LED - Flashing / Rotating / Static	
Flash Rate		Selectable from 60-120 Flashes per Minute	
Rotation Rate		Selectable from 60-120 Revolutions per Minute	
Static Mode		Permanently ON (ie Steady)	
Power Rating	5 W	10 W	
Effective Candela	128	312	

MULTIPLYING FACTOR FOR COLOURED LENSES:

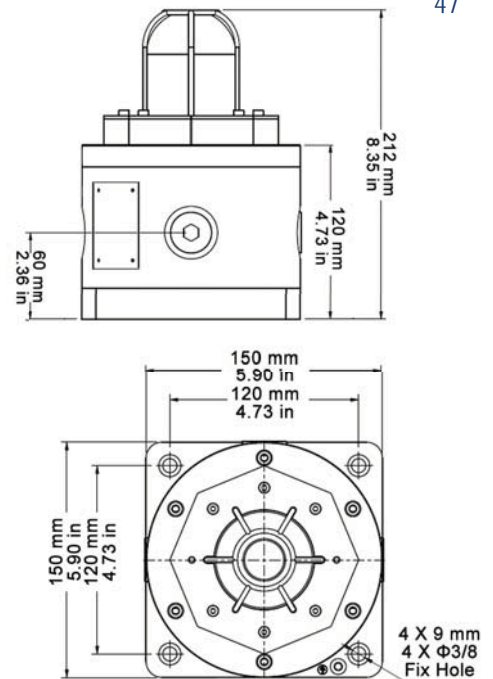
Amber x 0.51, Red x 0.15, Blue x 0.12, Green x 0.49, Clear x 1

Mechanical Specifications

MATERIAL: GRP (Glass Reinforced Plastic)
 LENS COLOURS: Amber, Red, Blue, Green, Clear or Other (specify)
 ENCLOSURE COLOUR: Red (RAL3001), Yellow (RAL1003)
 Blue (RAL5005), Black (RAL9004)
 WEIGHT: 3.8 Kg / 8.38 lb
 DIMENSIONS: Length/Width: 150mm / 5.91" Height: 212mm / 8.35"
 INGRESS PROTECTION: IP 66
 AMBIENT TEMPERATURE: -40 to +70
 HUMIDITY: ≤ 95% RH

Electrical Specifications

POWER SUPPLY: ≤48v Dc or 100-240v Ac (50/60 Hz)
 TERMINATION: Accepts upto ≤ 2.5mm² incorporating rising clamp protectors
 CABLE ENTRY: 4 x M20 or M25.
 For 1/2" or 3/4"NPT requirements, male/female adapter glands are available. Contact sales dept for further part codes.



Accessories

- 50023: Cage Guard (Stainless Steel)
 50200: M20 E1EX Nickel Plated Brass Gland (Multi Armour Cone) Atex Cat 2 & 3, EExde IIC 2 GD
 Cable ID 11 - 15.5mm
 OD 14.5 - 21mm
 Gland for Multi Armoured Cable *
 50201: M20 A2EX Nickel Plated Brass Gland Atex Cat 2 & 3, EExde IIC 2 GD
 Cable OD 11 - 15.5mm
 Gland for Unarmoured Cable *
 50202: M20 E1EX-QS Nickel Plated Brass Gland (Ex d IIC, Ex e IIC, Ex nR IIC, Ex tb IIIC)
 Cable OD 14.5 - 20.5mm
 Barrier Gland for Steel and Aluminium Armoured Cable *
 50203: M20 A2EX Quick Stop Nickel Plated Brass Gland (Ex d IIC, Ex nR IIC, Ex tb IIC)
 Cable OD 9 - 15mm
 Barrier Gland for Unarmoured Cable *
 50204: M20 Nickel Plated Brass Stopping Plug Atex EExde I/IIC
 Standard M20 Blanking Plug
 50221: Epoxy Minute Adhesive 24m/l tube
 One tube sufficient for five barrier glands

* 25mm Thread length for GRP products

Note: M25 options available for the above

BC150 Series > Working Current

Xenon						LED					
ENERGY	12v Dc	24v Dc	48v Dc	110v Ac	220v Ac	POWER	12v Dc	24v Dc	48v Dc	110v Ac	220v Ac
5 J	460 mA	280 mA	140 mA	60 mA	35 mA	5 W	530 mA	260 mA	120 mA	80 mA	40 mA
10 J	850 mA	490 mA	250 mA	100 mA	60 mA	10 W	1100 mA	530 mA	240 mA	160 mA	80 mA
15 J	1200 mA	700 mA	360 mA	140 mA	80 mA						
20 J	N/A	960 mA	480 mA	180 mA	110 mA						