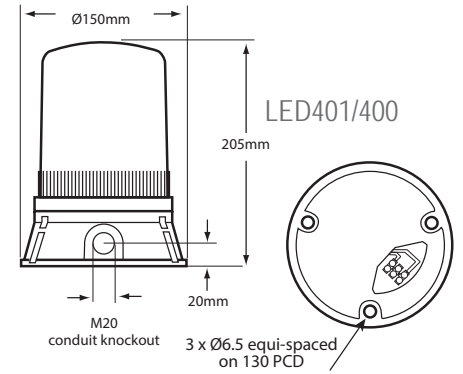
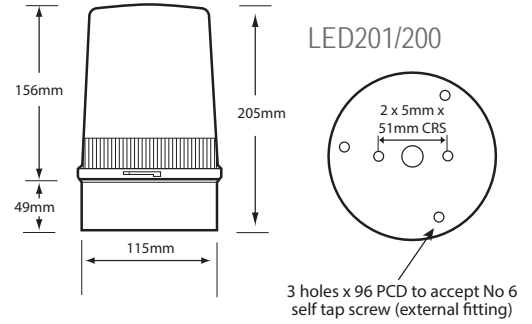


Visual Signals - Industrial LIGHT EMITTING DIODE BEACONS



Industrial LED Flashing Rotating Static Beacons > LED201/200 & LED401/400 Series

Product overview

The LED201/200 and LED401/400 series are suitable for security, process control & industrial applications, where low maintenance and long life are the pre-requisite requirement.

These beacons offer a four stage alarm option, selected by a four way switch on the PCB:

1. Continuous mode
2. Flashing mode at 1Hz
3. Rotating mode: Twin column
4. Rotating mode: single column

An advantage of the continuous mode is that it can be controlled via a remote source (ie. control panel / plc etc) offering the potential of a remote flashing option. The design allows for termination inside the enclosure through the base.

Features

- Continuously rated
- LED long life and extra bright
- LED201/200: Suitable for surface, conduit box or wall mounting
- LED401/400: Suitable for surface or wall mounting
- Optional wall bracket & guard available - see accessories
- LED401/400: M20 conduit side entry or bottom cable entry.
- 360° light output around the vertical axis.
- Dustproof and Weatherproof

LED201/200 & LED401/400 Series > Ordering Information

Code No:	Voltage:	Light Source:	Current:		
			Flashing	Rotating	Static
LED201-02	24v Dc ---	144 LEDs	0.25	0.20 ••	0.50 A
LED200-04 •	115/230v Ac ~	144 LEDs	0.09/0.05	0.12/0.06 ••	0.17/0.10 A
LED401-02	24v Dc ---	144 LEDs	0.25	0.20 ••	0.50 A
LED400-04 •	115/230v Ac ~	144 LEDs	0.09/0.05	0.12/0.06 ••	0.17/0.10 A

- Pre-set to 230v Ac ~ •• 2 Bar Rotating

Note: Current consumption is an average over a 60 second cycle

ADD THE FOLLOWING LENS CODES TO THE PRODUCT WHEN ORDERING



Material

UV Stable Polycarbonate Lens
UV Stable ABS Plastic Base

Kg 1.0 Ac
0.6 Dc

50/60 Hz

°C -20+45

IP 65

FPM 60

RPM 140

APPROVALS and
CONFORMITIES



INDUSTRIAL

FIRE