

# Visual Signals - Industrial XENON BEACONS



X195 & X197  
Deep Base Option



X195 Shallow Base Option

## Industrial Xenon Beacons > X195 / X197 Series

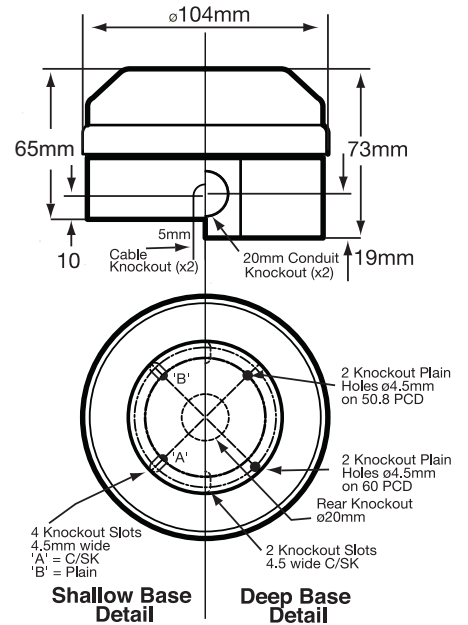
### Product overview

The X195 and X197 are suitable for security, process control & general industrial signalling applications.

These beacons are of the Flashing mode type (single stage alarm) Xenon beacons (sometimes called strobes) are controlled via a PCB and put out a very brief but bright flash of white light by ionizing and then discharging a large current through the xenon gas. The design allows for

termination inside the enclosure. The X195 deep base version offers 2 x M20 side knockouts and 1 x M20 rear. The shallow base (low profile version) allows for cable entry of up to 5mm on the side of the unit (x2) and 1 x M20 knockout at the rear.

The X197 high power version only allows for internal connection via the M20 rear knockout. Due to the power rating the unit has a rated 'On' time of 2 hours in any six (see technical data sheet).



## X195 / X197 Series > Ordering Information

Code No:	Voltage:	Light Source:	Current:
<b>5 Joules Version</b>			
X195-02WH-SB	15-28v Ac/Dc ~	Xenon 5.0 J	310 mA
X195-02WH	15-28v Ac/Dc ~	Xenon 5.0 J	310 mA
X195-05WH-SB	180-265v Ac ~	Xenon 5.0 J	110 mA
X195-05WH	180-265v Ac ~	Xenon 5.0 J	110 mA
<b>10 Joules Version</b>			
X197-02WH	24v Dc ---	Xenon 10.0 J	650 mA

ADD THE FOLLOWING LENS CODES TO THE PRODUCT WHEN ORDERING **01** **02** **03** **04** **05**

### Features

- Continuously rated - Not X197
- Suitable for conduit box or wall mounting
- 120° prime light output above the vertical axis
- WH = White back box
- SB = Shallow base
- Dustproof and Weatherproof

### Material

UV Stable Polycarbonate Lens  
UV Stable ABS Plastic Base

Kg 0.25

50 Hz

°C -25+45

IP 65

FPM 60

INDUSTRIAL

APPROVALS and  
CONFORMITIES



FIRE