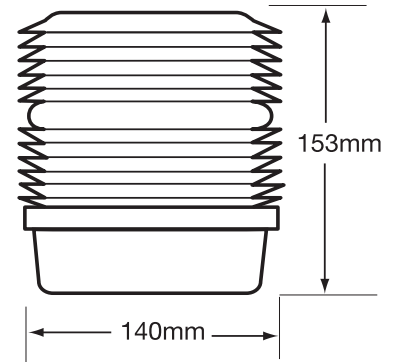


Visual Signals - Industrial

XENON BEACONS



0.5" NPT Conduit Thread
2 x 0.2" Ø Drillout
Fixing Holes on 3.5" PCD

Industrial Xenon Beacons > X201SD-200S Series

Product overview

The X201SD-200S series are suitable for security & general industrial signalling applications where a more robust and powerful signal is required.

These beacons are of the Flashing mode type (single stage alarm) Xenon beacons (sometimes called strobes) are controlled via a PCB and put out a very brief but very bright flash of white light by ionizing and then discharging a large current through the xenon gas.

The design allows for termination inside the enclosure. The internal electronics are encapsulated with a resin compound to protect against the harshest of environments, also offering additional protection from vibration.

This range of beacons incorporates a Fresnel design on the outside lens designed to maximise the light intensity and has a double flash as standard on the DC versions, single flash on the AC version.

Features

- Continuously rated
- High light output
- Very robust construction
- Suitable for surface or wall mounting
- Optional wall bracket (not pre-drilled) & guard available - see accessories
- 360° light output around the vertical axis
- 180° light output above the horizontal axis
- Dustproof and Weatherproof

Material

UV Stable Polycarbonate Lens
Zinc Cast Metal Base

X201SD-200S Series > Ordering Information

Code No:	Voltage:	Light Source:	Current:
X201-SD-12	12-48v Dc ---	Xenon 11.0J	1.50 A •
X200S-240	240v Ac ~	Xenon 11.0J	0.05 A

- At 24v Dc ---

ADD THE FOLLOWING LENS CODES TO THE PRODUCT WHEN ORDERING



Kg 0.92

50/60 Hz

°C -35+66

IP 66

FPM 60 Ac 120 Dc

MARINE

APPROVALS and CONFORMITIES



INDUSTRIAL